

SECTION 2

Complete consoles mechanical and electric

Console shells

Mechanical console chassis



P&S ORGAN SUPPLY COMPANY LTD

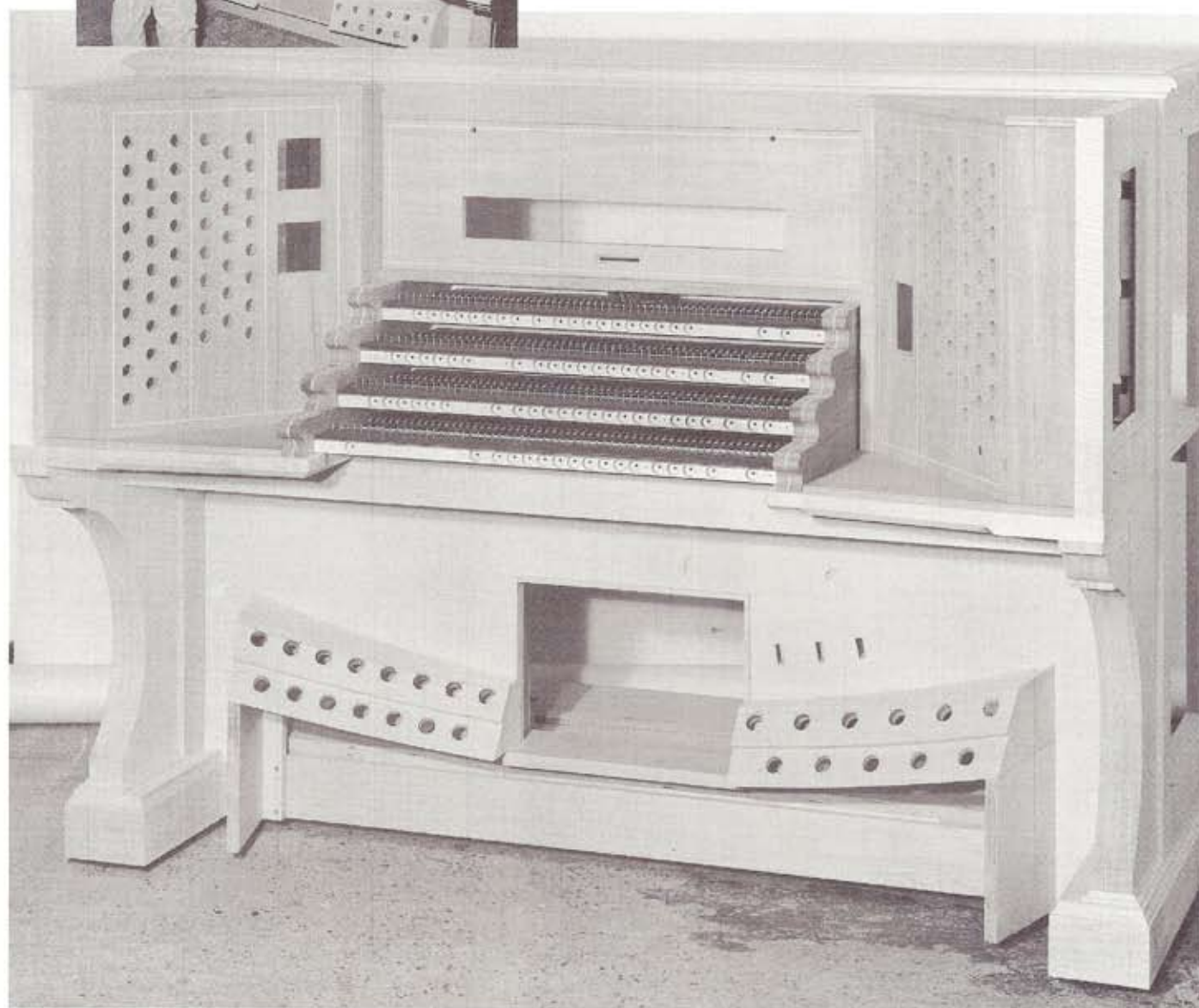
CONSOLE BUILDING SERVICE

P&S has a range of high quality 2, 3 and 4 Manual 'Detached', 'Attached', or 'en-fenêtre' consoles for mechanical or electric action, customised to any specification, requirement, or architectural situation. Timber, colour and detailing of the external panelling is to choice. Finishes available include, hand-rubbed oil, hand french-polishing, wax or lacquer.



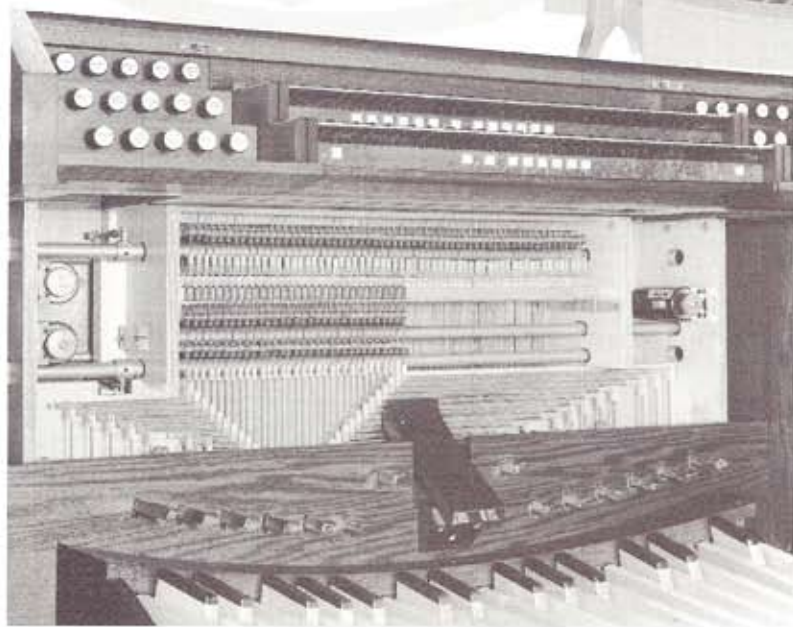
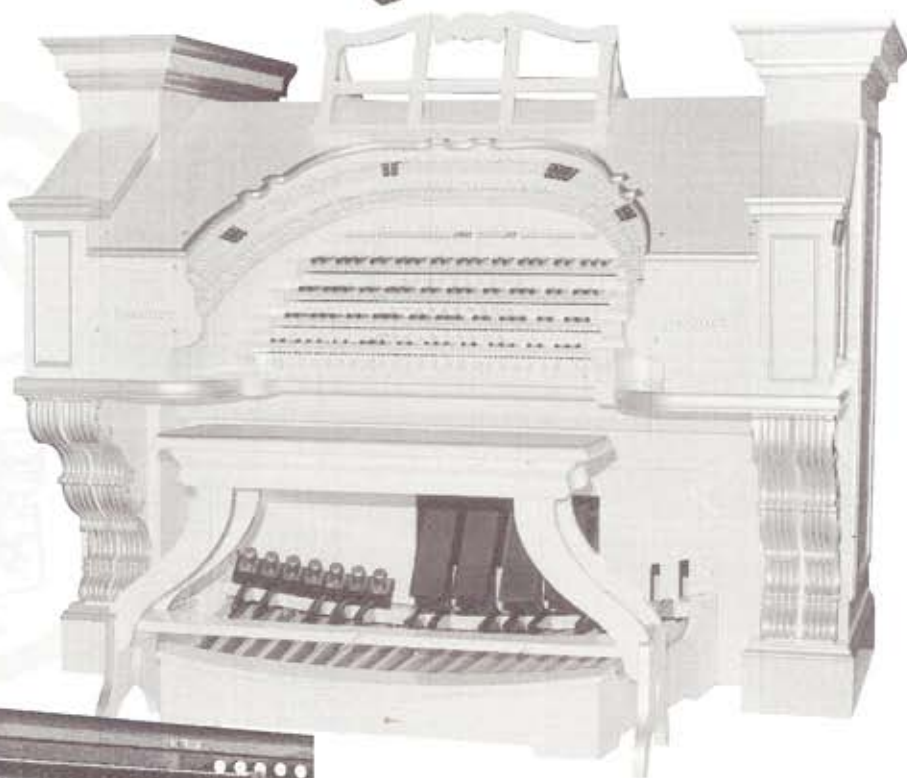
- Customer's own console designs undertaken at competitive prices
- Empty console shells available 'finished' or 'unfinished'.
- Stop layout in traditional American or English Style
- Keyboards, Pedalboards and Organ Benches are supplied to choice
- Drawstops, stopkeys or rocking tabs are fitted to choice
- Electrical equipment and accessories are selected from the best available or supplied to P&S for fitting
- Mechanical chassis for 2, 3 and 4 manual tracker actions fitted with a variety of options and 'tracker out' positions as required

Look in the **Console Building Service Section** of the Price List for full details and options available.



P&S ORGAN SUPPLY COMPANY LTD

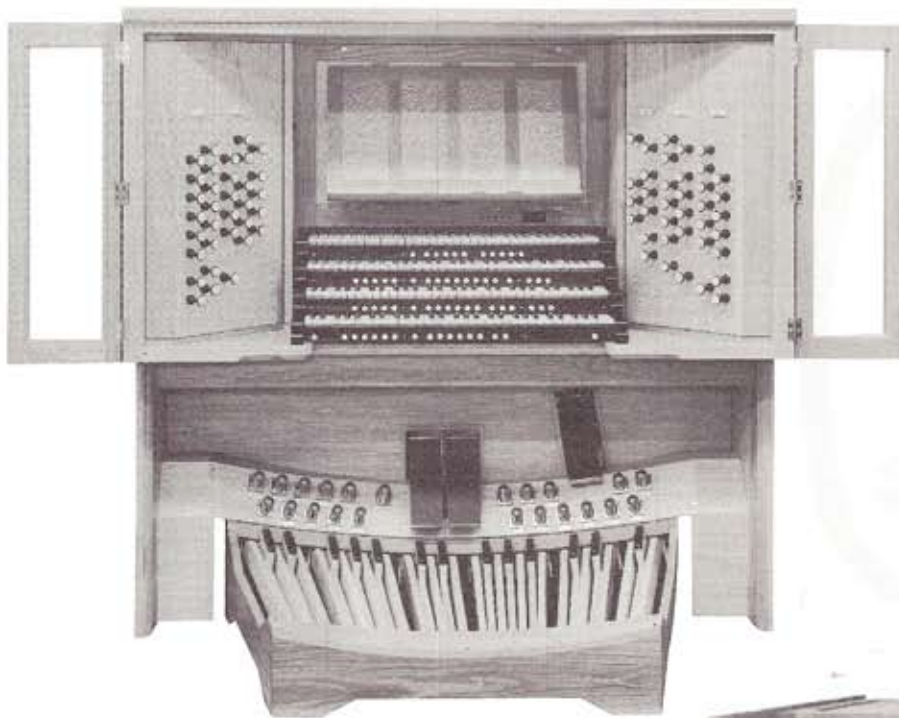
CONSOLE BUILDING SERVICE



P&S ORGAN SUPPLY COMPANY LTD

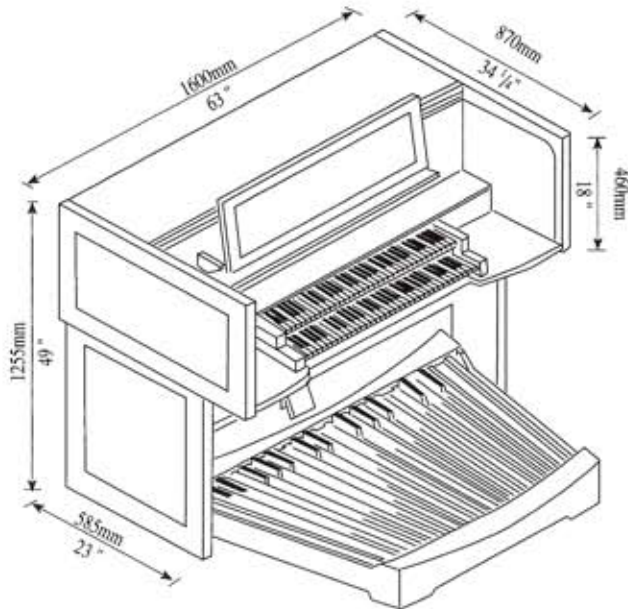


CONSOLE BUILDING SERVICE

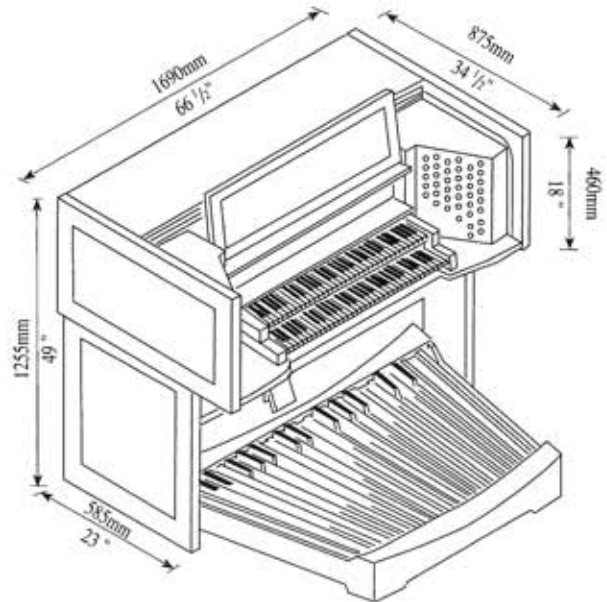


P&S ORGAN SUPPLY COMPANY LTD

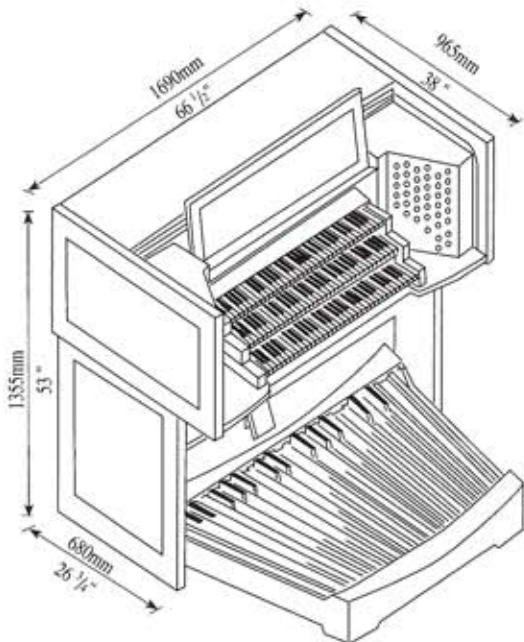
CONSOLE BUILDING SERVICE



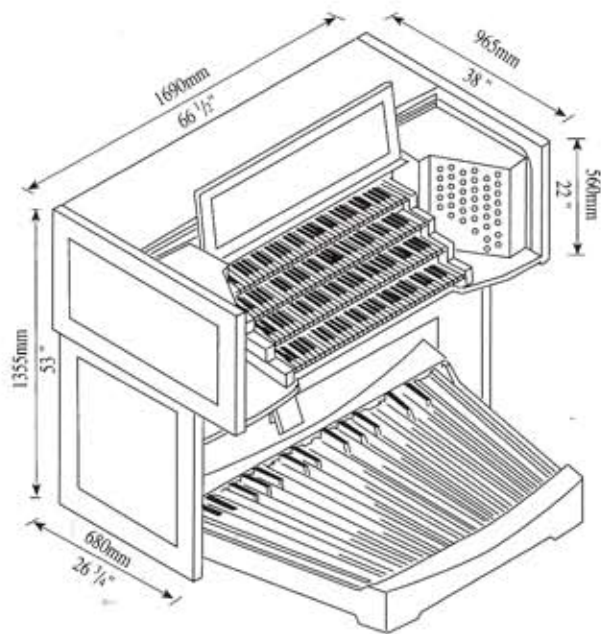
2 manual stop tab console



2 manual drawstop console - 50 stops



3 manual drawstop console - 80 stops



4 manual drawstop console - 50 or 80 stops

As each P&S console is customised to the exact requirements of the customer, the console dimensions shown here are for guidance only.

Consoles are built in one of four general styles below for either tracker or electric action:-

- Contemporary European style;
- Traditional English style
- Traditional American style;
- Traditional French style with terraced jambs

Look in the **Console Building Service Section** of the Price List for full details and options available.



P&S ORGAN SUPPLY COMPANY LTD

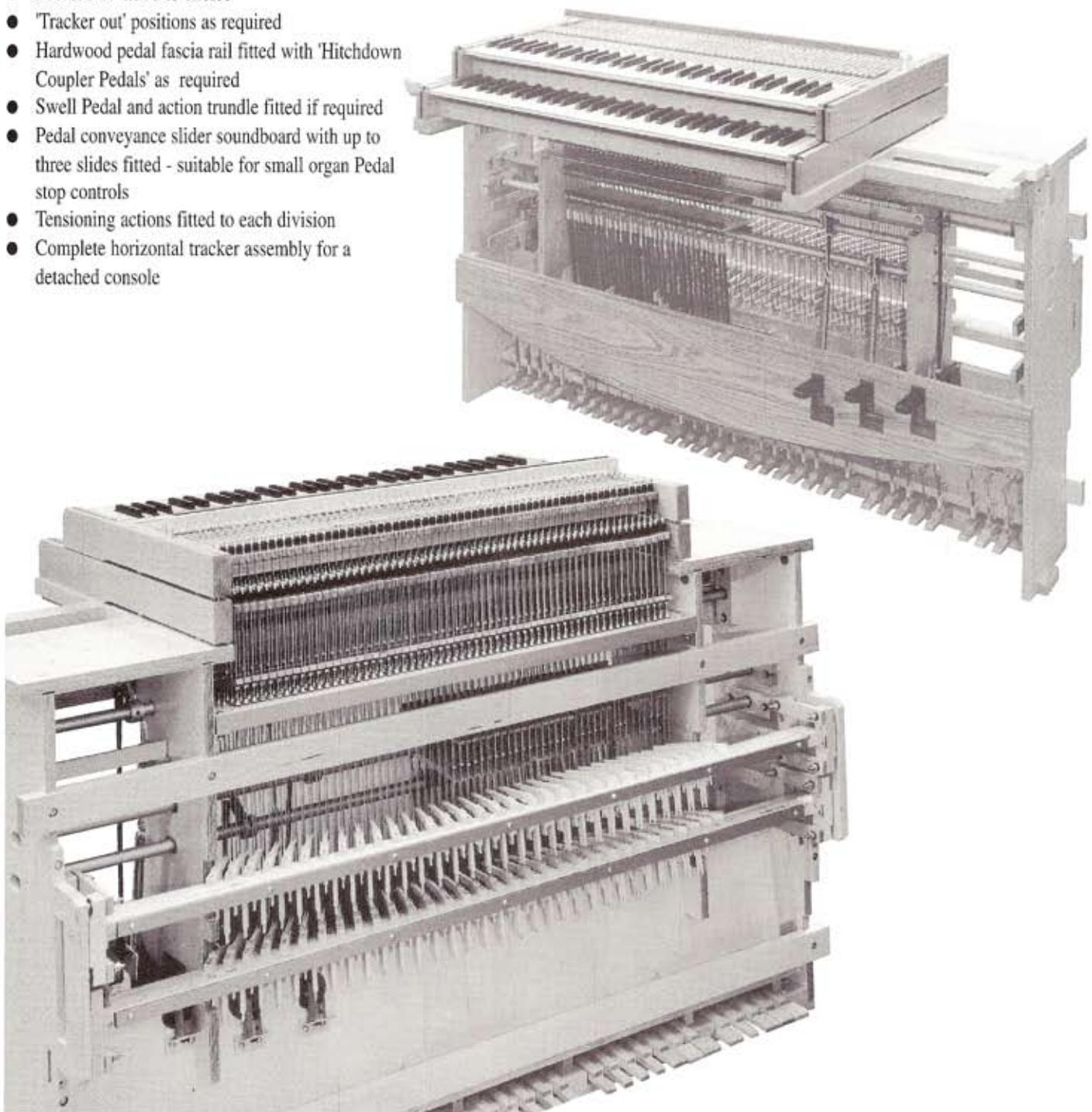
MECHANICAL CONSOLE CHASSIS

P&S offers a standard range of mechanical chassis from one to four manuals with either balanced or suspended action systems. Alternatively, P&S will build a chassis to a client's specification or drawing. Any chassis can be fitted to a P&S console, or supplied as a freestanding unit for the client to fit as he may wish.

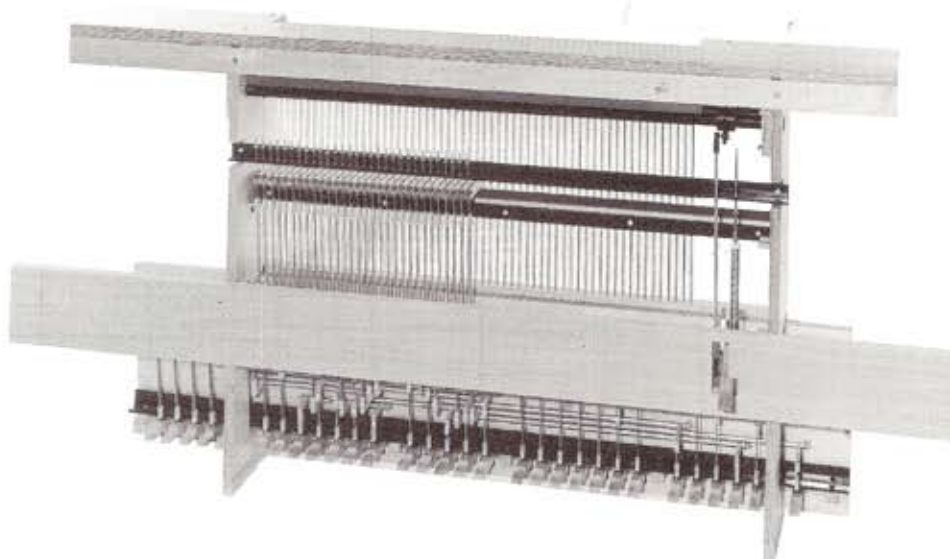
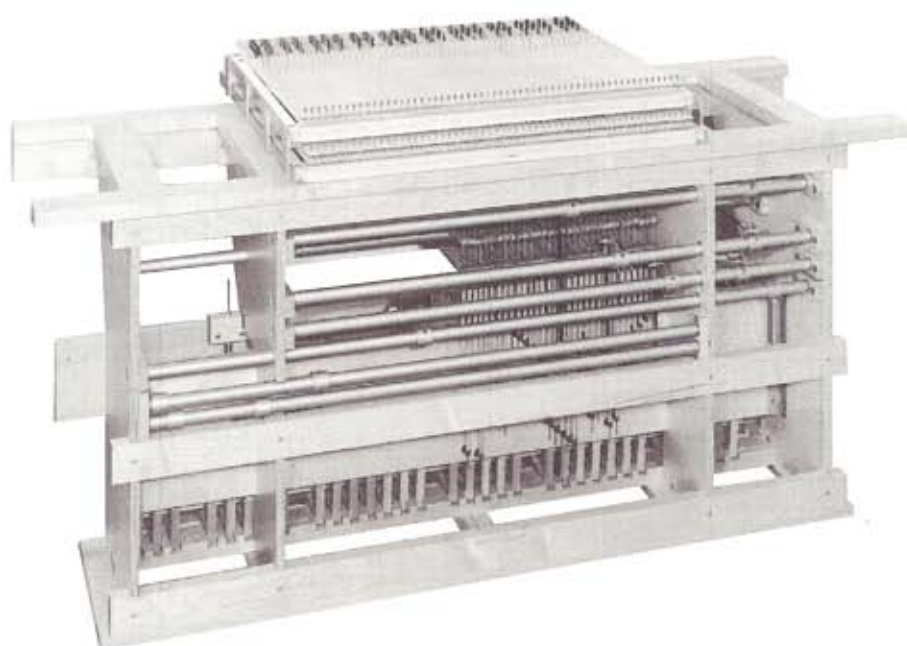
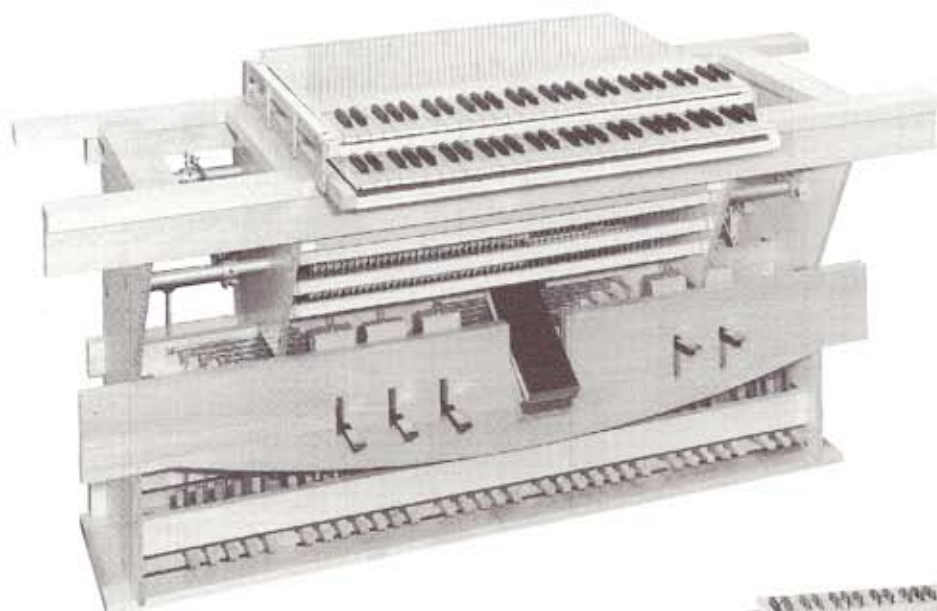
Construction, materials and options are as follows:-

- Trackers of Cedar
- Coupling wires of Titanium
- Squares of wood
- Construction frames of plywood and maple, finished with clear lacquer
- Roller arms of Aluminium - or wood
- Keyboards fitted to choice
- Pedalboard fitted to choice
- 'Tracker out' positions as required
- Hardwood pedal fascia rail fitted with 'Hitchdown Coupler Pedals' as required
- Swell Pedal and action trundle fitted if required
- Pedal conveyance slider soundboard with up to three slides fitted - suitable for small organ Pedal stop controls
- Tensioning actions fitted to each division
- Complete horizontal tracker assembly for a detached console

NOTE - Because every organ is different, the "tracker out" connections from the chassis are not included in the basic chassis prices shown in the price list, but they are normally supplied according to the client's specific instructions and priced prior to an order being placed. "Tracker out" positions can be by sticker above the keys, or by square beam above or below the keys, or by backfalls connected to the keywires, or by jack actions which allow the keys to be removed without dismantling the chassis wires from the keyboards. P&S chassis are designed to sit on a ground frame 30mm thick which would normally be supplied by the customer.



MECHANICAL CONSOLE CHASSIS



P&S ORGAN SUPPLY COMPANY LTD

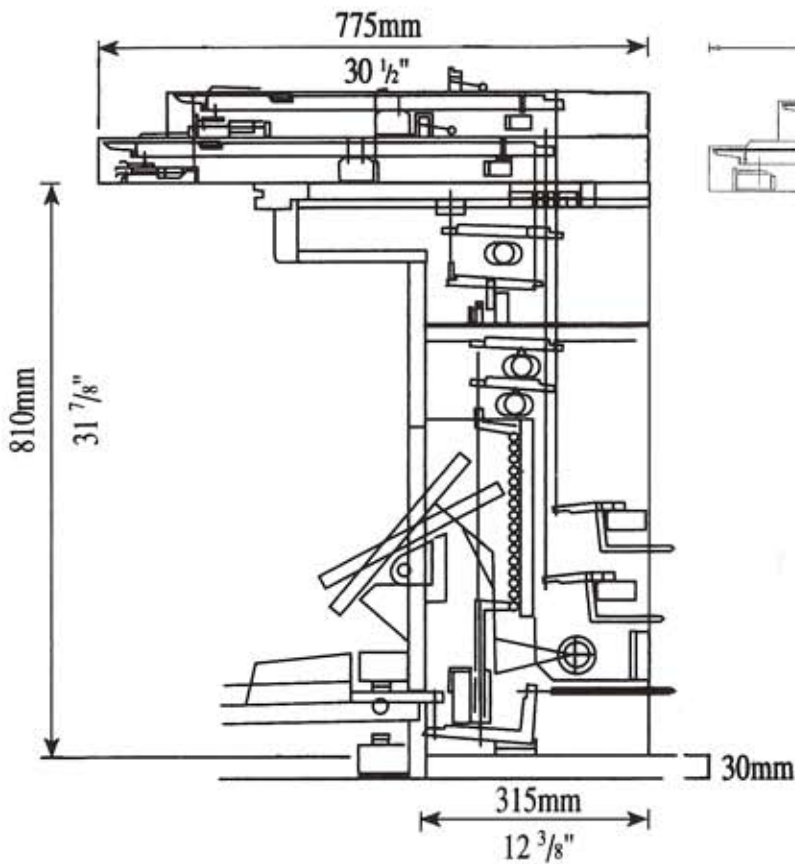
MECHANICAL CONSOLE CHASSIS

TRACKER 'CONSOLE TO ORGAN' ASSEMBLY

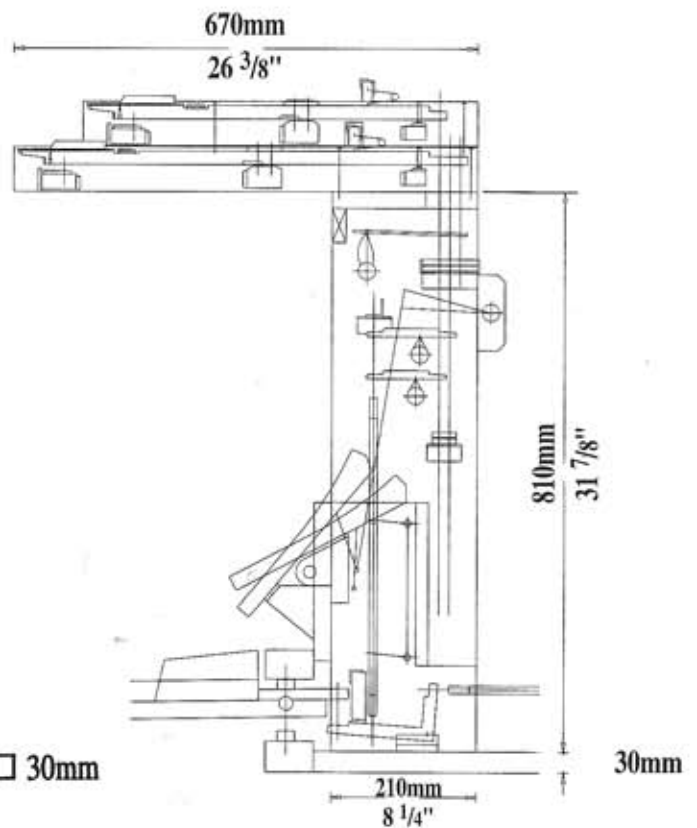
P&S supply completely prefabricated tracker action systems for any new or existing organ, from console chassis to key pallets. These include square and backfall beams, rollerboards and rollerframes, as well as trackers in frames with registers which are complete with the P&S tensioning system to keep the organ in adjustment whatever the climate or ambient level of heating or humidity.

Furthermore P&S will supply advice on how to achieve a finely balanced and sensitive action.

Look in the **Console Building Service Section** of the Price List for full details and options available.



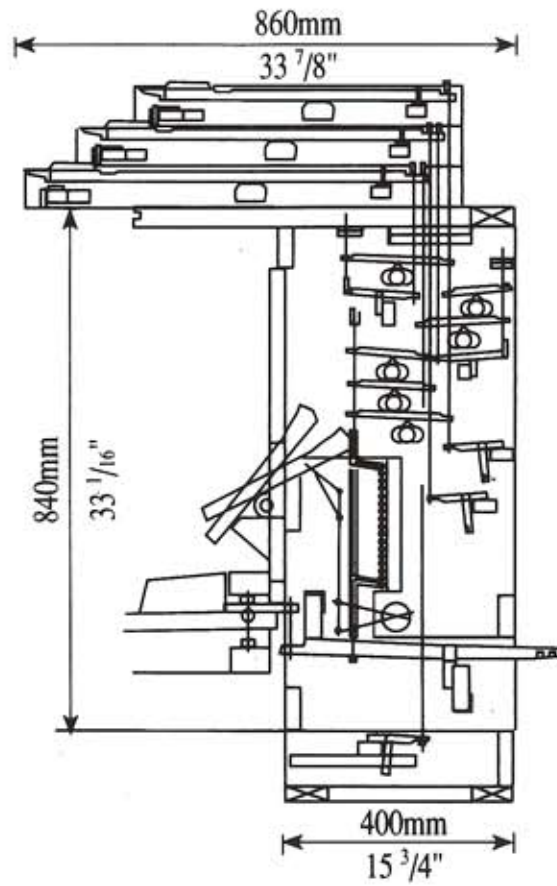
Standard 2 manual chassis



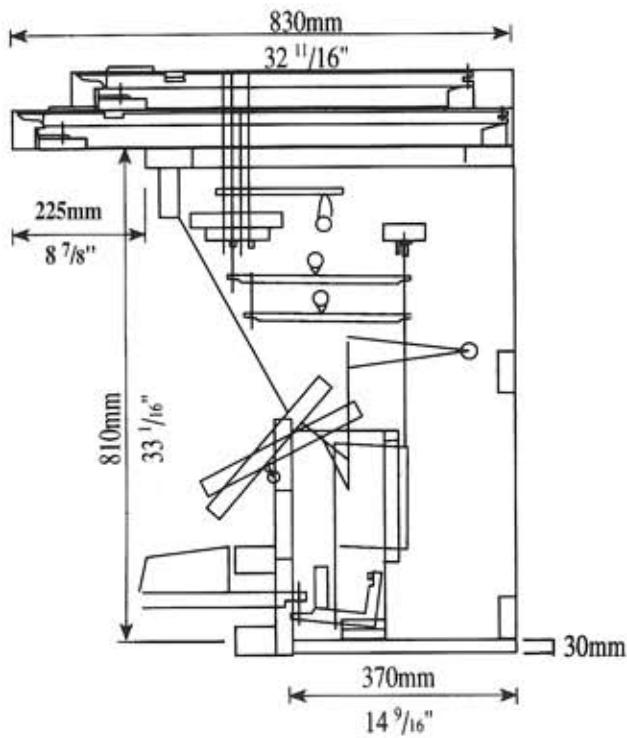
Standard 2 manual compact chassis



MECHANICAL CONSOLE CHASSIS



Custom 3 manual chassis



Standard 2 manual suspended action chassis

