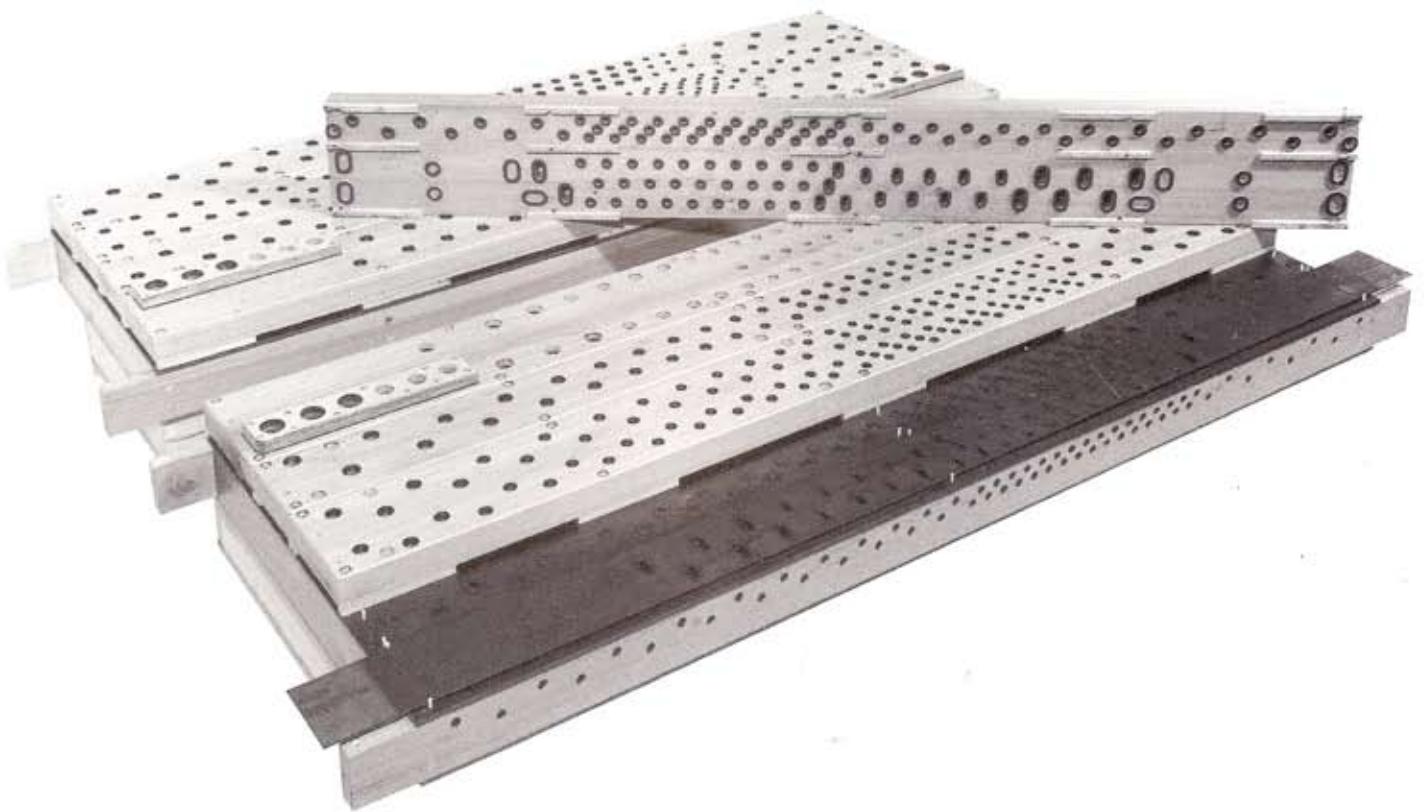


SECTION 3

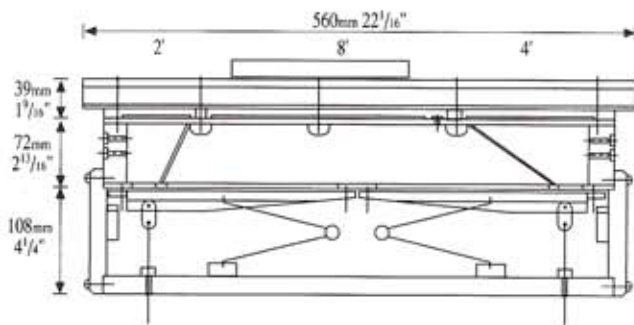
Slider and electro pneumatic chests
Off note and conveyance chests



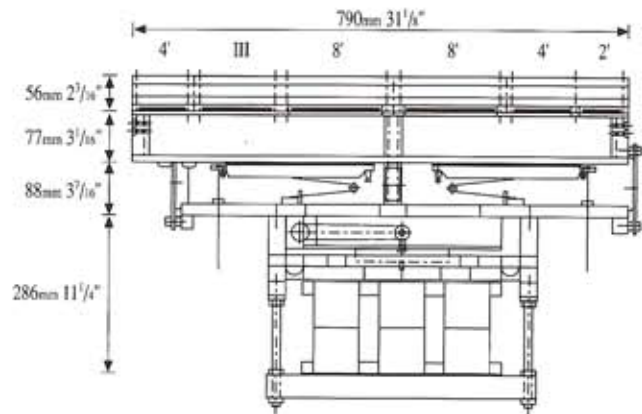
P&S ORGAN SUPPLY COMPANY LTD

SLIDER WINDCHESTS

STANDARD 2 MANUAL WINDCHEST SECTION DIMENSIONS



2 Manual key scale 3 slide windchest



2 Manual 6 slide windchest

SLIDER CUSTOM WINDCHESTS

- Choice of standard grid lengths:
 - Manual: 2.00m (6'7")
 - 2.50m (8'3")
 - 2.80m (9'2")
 - Pedal: 2.50m (8'3")
 - 3.00m (10'0")
- Laminated Poplar upperboards for stability
- Rackboards of Birch plywood with pipe centres pricked
- Tables of Marine-grade Plywood
- Schmidt slider seals fitted
- Basswood pallets, felt and leather or double leather covering
- Grid constructed of poplar

- Pulldown wires fitted through bushed brass seals
- Bedded faceboards (bungs) with quick release turnbuttons
- Felted bar bleed holes
- Sliders made of inert material and graphited

Look in the **Slider Wind Chest Section** of the Price List for full details and options available including built-in Schwimmer regulators; Tremulants; Push Buttons for reed tuning; Pulldown magnets and wiring; Slider Solenoids; Rollerboards and Trackers fitted for mechanical action; Building and Floor frames.

See also details for Pitman Chests.



SLIDER WINDCHESTS

The slider windchest or soundboard as it is traditionally known in England is at the very heart of the organ. Poor design and execution will inevitably lead to poor results.

Over many years P&S have produced for some of the finest organ builders in the world countless numbers of slider chests for electric and mechanical actions, either to the P&S proven construction methods or to the customers usual standards.

New wind chests built to the standard P&S formula have proved rugged enough for the most adverse climatic conditions in several areas of the world.

Assisted by state of the art 'Computer Aided Design' with powerful parametric programming, our designers lay out almost instantaneously, even the most complicated wind chest. This process enables the efficient, accurate and cost effective production of wind chests to a client's specific needs.

The parametrics take into account such details as the volume of wind required for a specific wind pressure and voicing style. Compensation is made in those cases where slide sealing devices are not required.

As part of our considerable investment in 'Computer Aided Manufacturing', P&S can transmit layouts to the P&S 12' x 6' XY CNC routing machine, or store them on magnetic tape for another occasion.

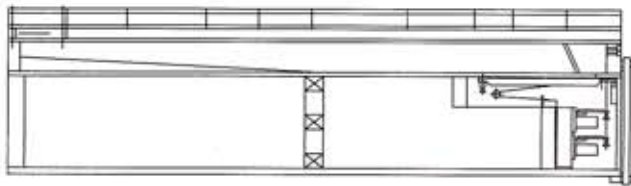
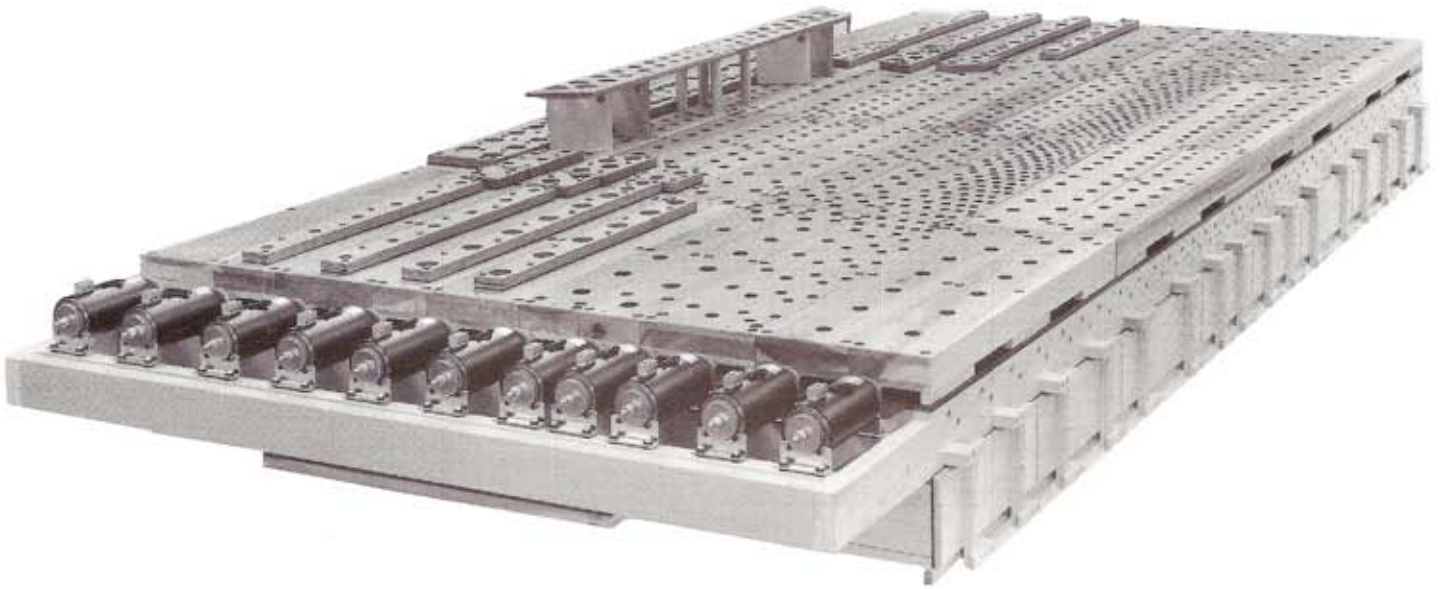
Some of the special features that can be included in the construction of a P&S windchest are as follows:

- Prevention of a reaction from the vibration of the reed stops in a wind channel (that can adversely affect the speech and tuning of Mixtures) by the provision of 'wind baffles' or a separate wind channel to supply specific stops.
- Provision of a separate wind channel to enable 'en chamade' reeds - to be placed at the opposite side of the wind chest to the pallet.
- For situations where the Principal 8ft is almost entirely en facade, it can save valuable space to have the slider below the windchest grid-and help conceal wind conveyances (conductors) from sight.
- Provision of 'Assister Motors' to lighten the action that can be adjusted to suit the taste of the current organist. This system is also extremely effective for use with electric pulldown magnets, giving quick response and repetition.
- Windchests can be supplied on a building frame (scaffold) together with passage (walk) boards, wind system, pulldown and stop actions fitted.
- P&S offer pre-designed slider chests, for one and two manual organs from two to eight stops.

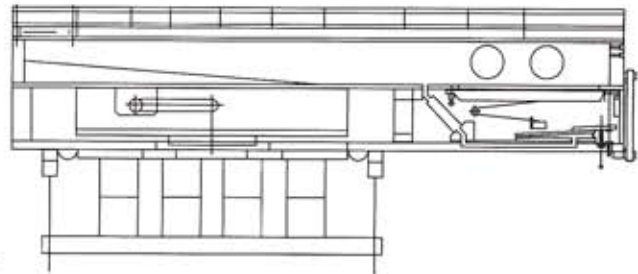


P&S ORGAN SUPPLY COMPANY LTD

SLIDER WINDCHESTS

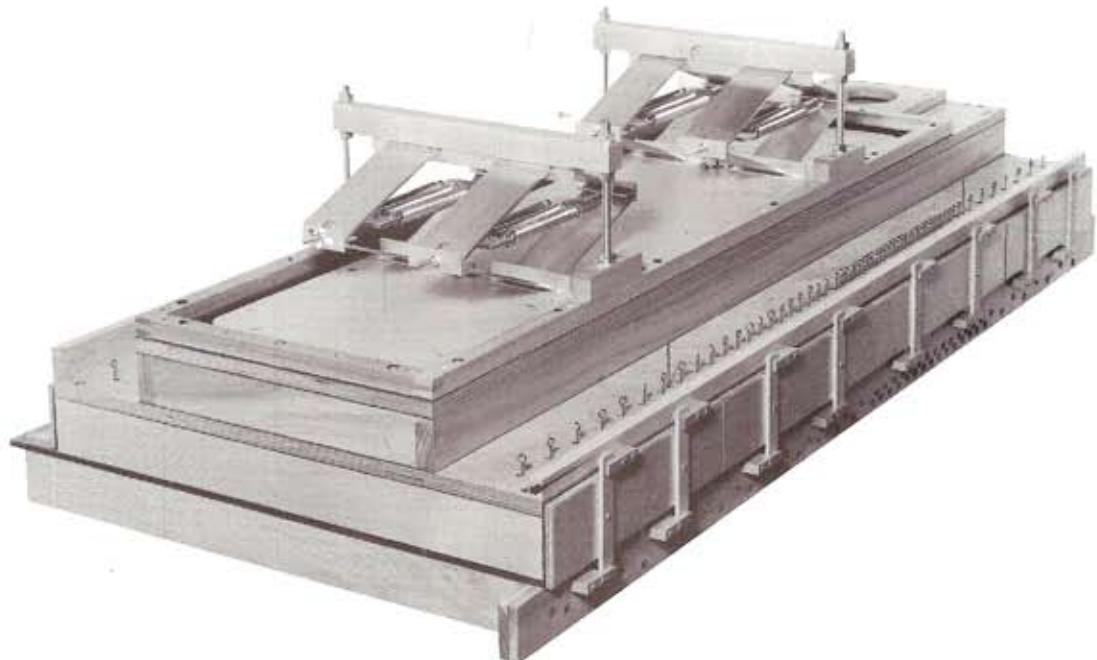


Custom windchest fitted with electric pull-down magnets and baffles



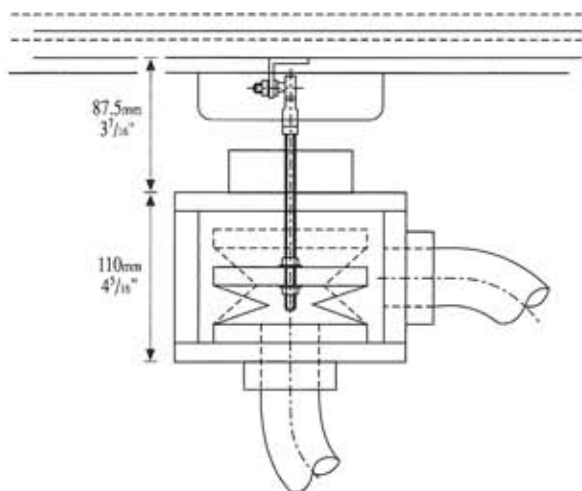
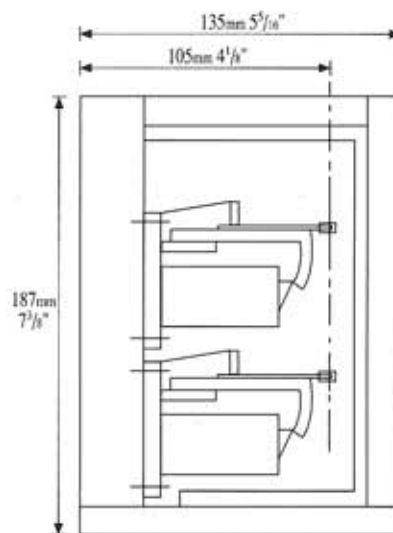
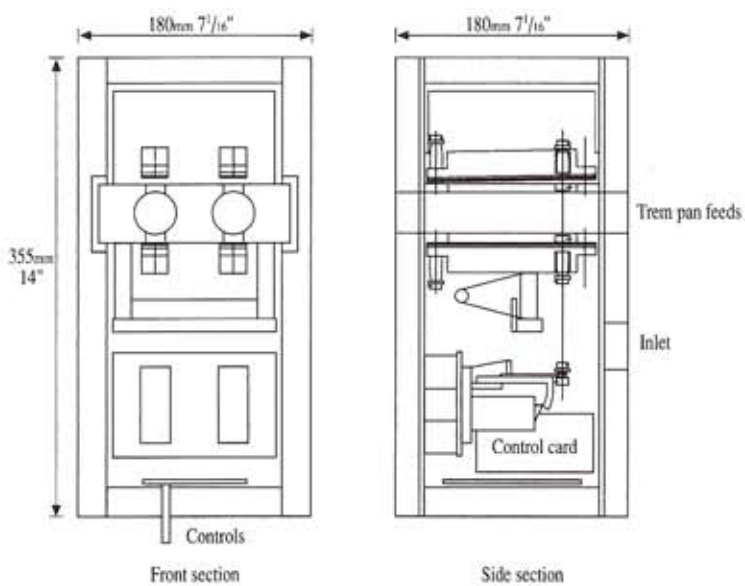
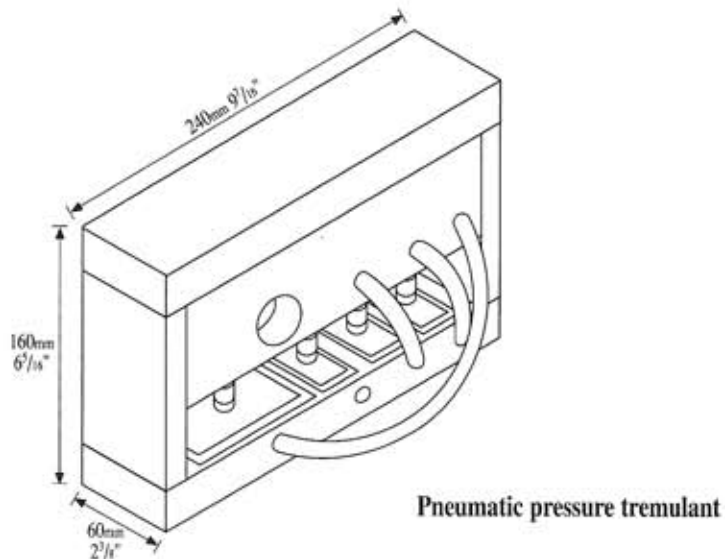
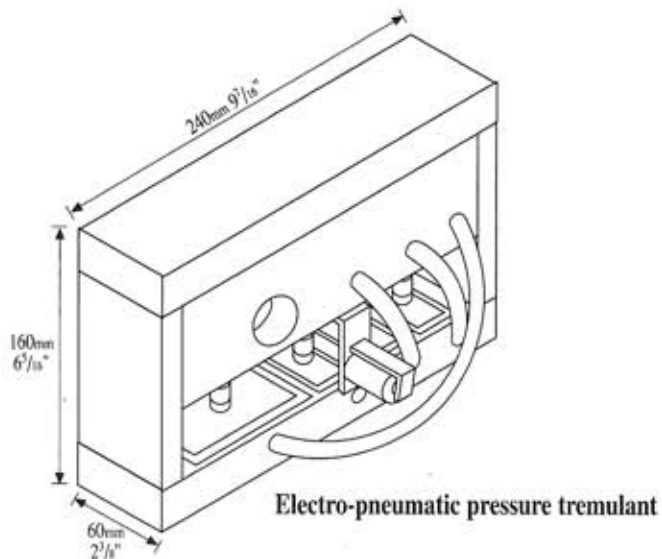
Custom windchest fitted with assister motors to relieve heavy action, and a schwimmer regulator

CUSTOM WINDCHESTS - OPTIONAL EXTRAS



P&S ORGAN SUPPLY COMPANY LTD

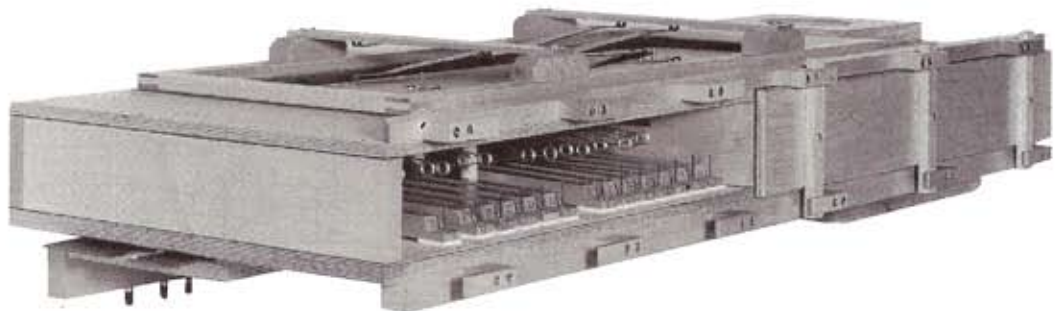
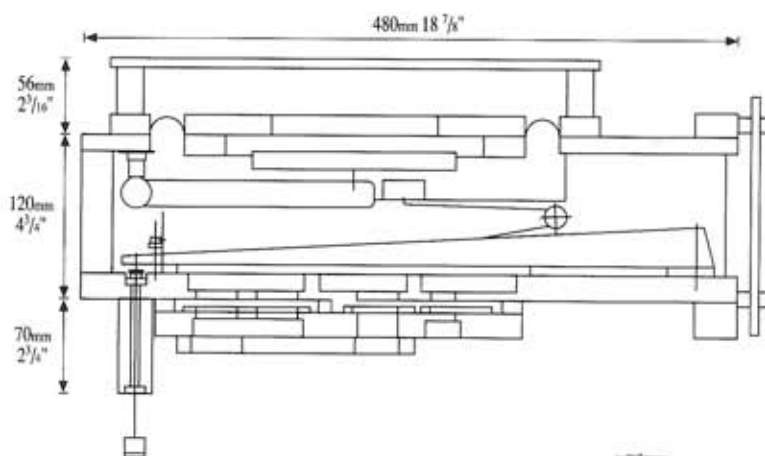
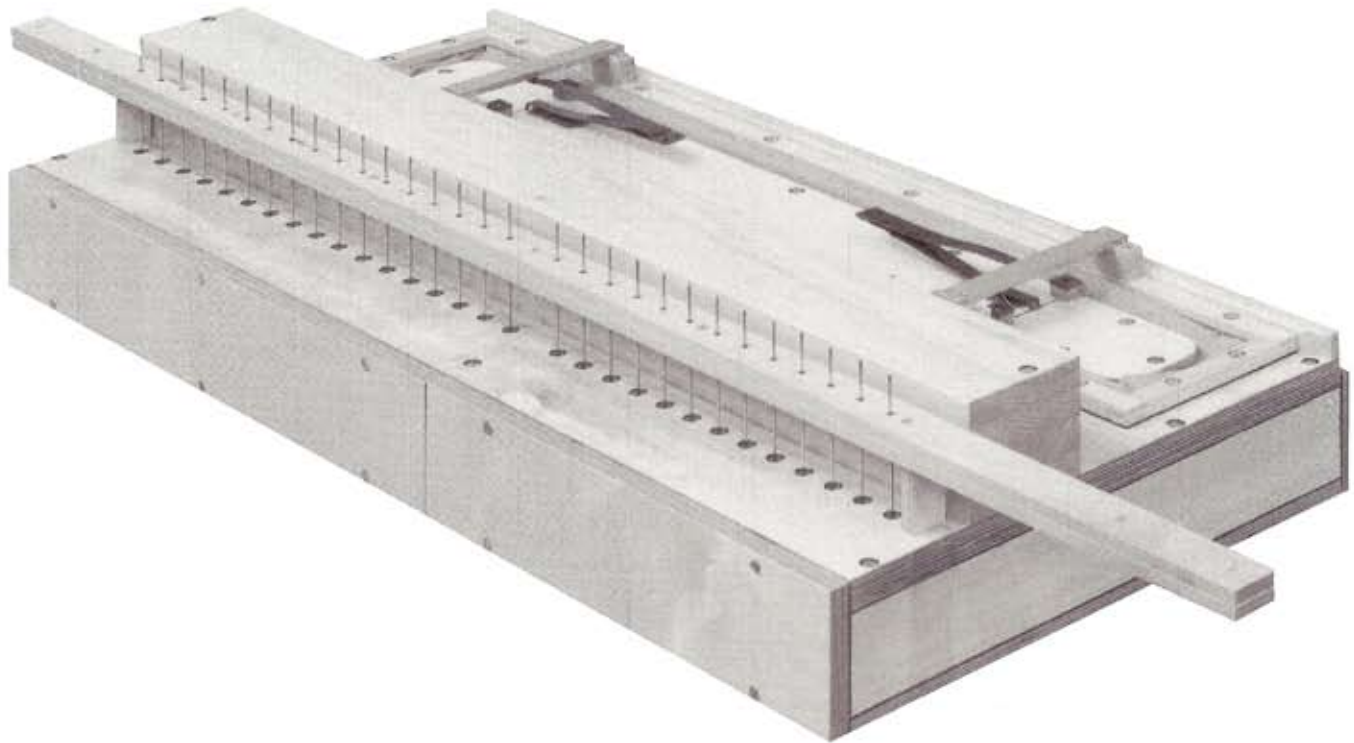
SLIDER WINDCHESTS



PEDAL CONVEYANCE SLIDER CHEST

The P&S Pedal Conveyance slider windchest has been designed as an alternative to a complete mechanical action system for a small organ with 1 to 3 pedal stops. The conveyance chest can be constructed to supply from 1 to 3 straight stops or extended ranks, for example a 16' & 8' 44 note bourdon bass flute. The pedal pipework can be supplied

through conveyances and off note blocks, giving the advantage of flexibility in the positioning of the pedal pipes in small instruments. Look in the **Standard slider windchests** section of the price list for full details and options available.

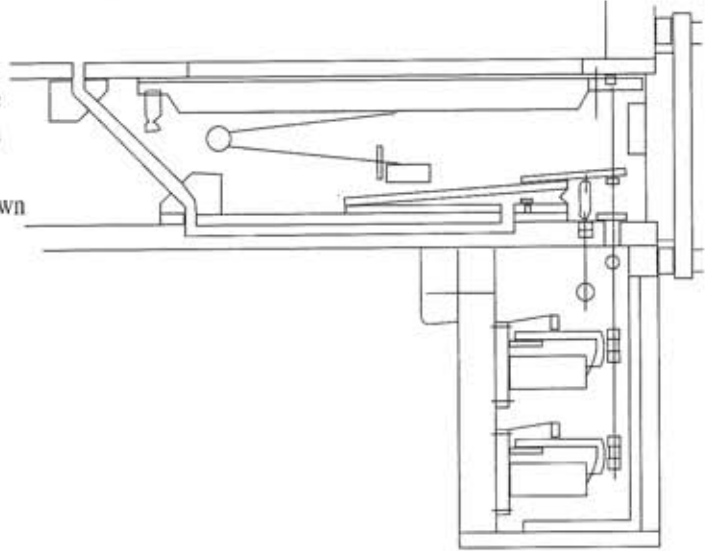


P&S ORGAN SUPPLY COMPANY LTD

PULL DOWN ACTIONS

P&S provide two systems of pallet pull-down actions.

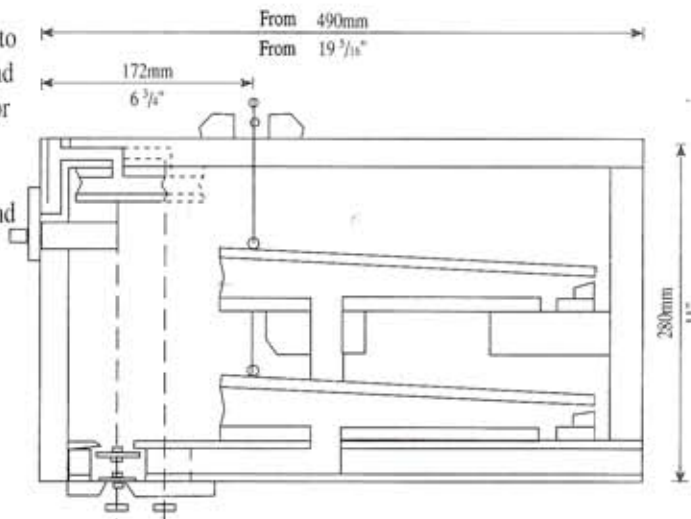
ELECTRIC PULLDOWN MAGNETS - High quality heavy duty magnets of 30 ohms resistance are mounted on a rail either inside the windchest or below. This is an ideal system when electric coupling is required on a mechanical action organ since any assister motors required to make the mechanical action lighter also assists the pulldown magnets.



Electric pull-down magnets fitted with assister

ELECTRO-PNEUMATIC UNDERACTION - These actions, made to customers dimensions, are fitted below the windchest pull-downs and are connected by wire links. These actions have a double primary for excellent repetition, and will work on pressures of 4" + WG.

Look in the **Underaction Section** of the Price List for full details and options available including Magnet Board and primaries for converting existing pneumatic actions.



Electro-pneumatic underaction



OFF NOTE AND UNIT CHESTS

P&S STANDARD FEATURES

- Laminated Poplar toe boards for stability
- Rackboards of Birch plywood with pipe centres pricked

OPTIONAL EXTRAS

- Built-in Schwimmer regulators
- Tremulants fitted to Schwimmer regulators
- Magnets wired to details supplied
- Building and Floor frames

Look in the **Off Note and Unit Chests Section** of the Price List for full details and options available including pipe racking and support stays.



P&S ORGAN SUPPLY COMPANY LTD



OFF NOTE AND UNIT CHESTS

Electric chests are to P&S standard construction or to a customers normal method.

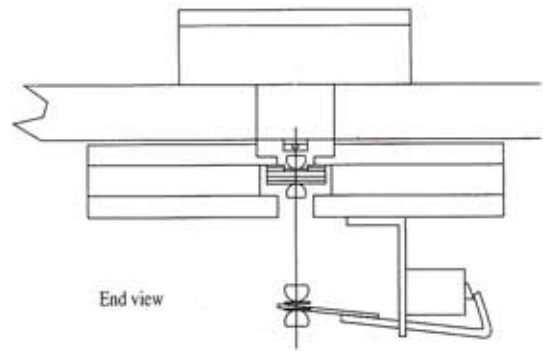
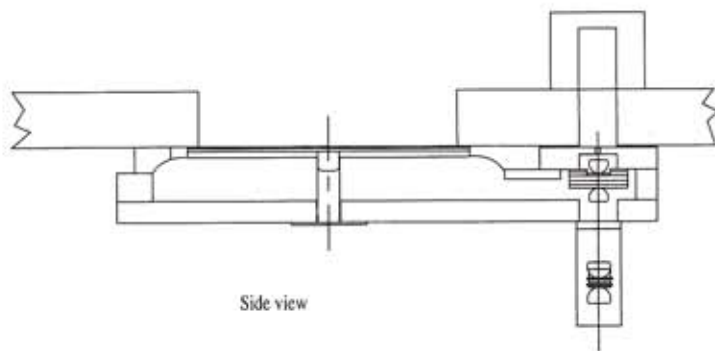
As with slider chests, P&S use powerful 'Computer Aided Design' in laying out chests efficiently, accurately and cost effectively. The layouts can then be transmitted for routing on the P&S 12' x 6' XY CNC routing machine.

A variety of action types are used, but normally pipes of 4ft and longer will have a primary electric action exhausting a secondary pneumatic purse motor. Pipes smaller than 4ft will usually have pallet magnet.

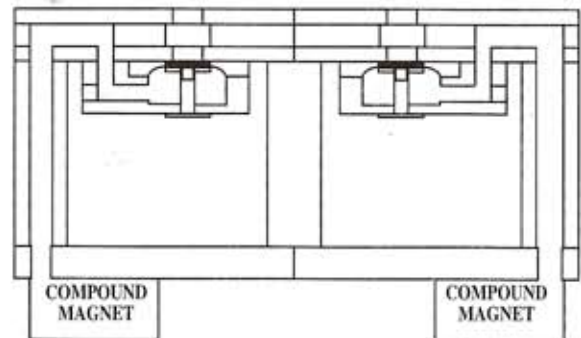
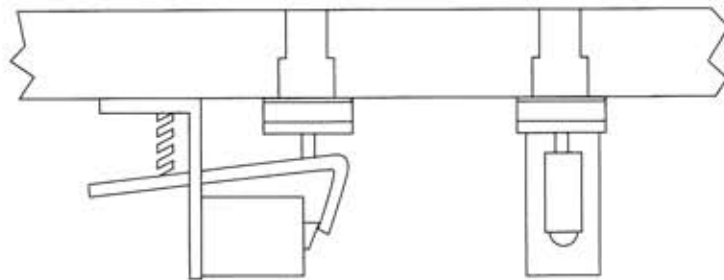
Pipe rackboards and stays with supports can be supplied ready for the client.

Chests can be supplied on a building frame (scaffold) together with passage (walk) boards, with wind system and cables fitted.

Look in the **Off Note and Unit Chests Section** of the Price List for full details and options available including pipe racking and support stays.



Primary electric action and secondary pneumatic purse motor



Unit chest with primary compound magnet and secondary pneumatic purse motor action

